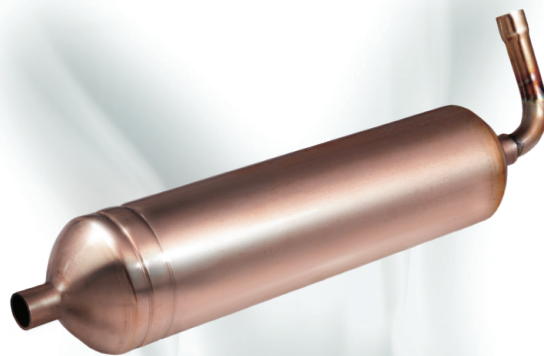


# SANHUA



## Suction line Accumulator (Compressor)

Applicable for household air conditioner compressor, the Accumulator is installed in front of the compressor to separate refrigerant and refrigeration oil and impurities not completely gasified by evaporators. It has functions of gas-liquid separation, liquid storage, oil return and noise reduction to ensure that the compressor would not be damaged by fluid impact.



### FEATURES

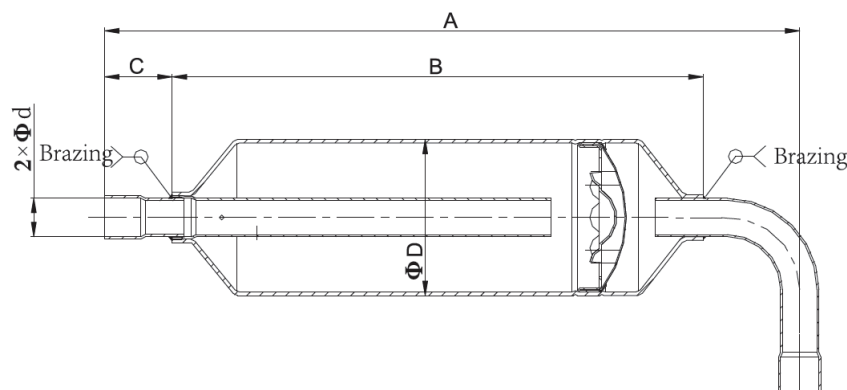
- CORROSION RESISTANCE: FINISHED WITH POWDER PAINTING SURVIVING 500 HOURS OF SALT SPRAY TEST
- LONG SERVICE LIFE: STEEL CASING, MORE ENDURABLE

### GENERAL SPECIFICATIONS

- Applicable refrigerant: CFC, HCFC, HFC etc.
- Applicable medium temperature:  $-30^{\circ}\text{C} \sim +120^{\circ}\text{C}$  ( $-22^{\circ}\text{F} \sim +240^{\circ}\text{F}$ )
- Applicable ambient temperature:  $-30^{\circ}\text{C} \sim +65^{\circ}\text{C}$  ( $-22^{\circ}\text{F} \sim +131^{\circ}\text{F}$ )
- Maximum working pressure: 4.8MPa
- Certification: UL and CSA

### TECHNICAL PARAMETERS

Steel Receiver





# SANHUA Suction line Accumulator (Compressor)

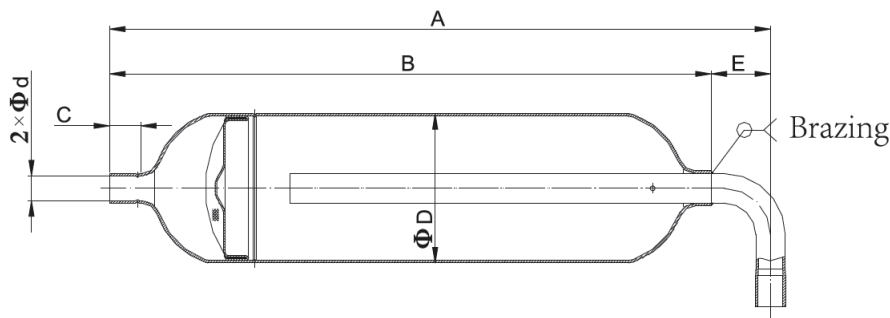
## TECHNICAL PARAMETERS

*Steel Receiver*

Model	Dimensions					Connection Type
	D mm	B mm	A mm	C mm	d in	
KCY-FXX025	25,4	70~330	120~450	25~150	1/2, 1/4, 3/8	Solder Connection
KCY-FXX031	31,75	70~330	120~450	25~150	1/2, 1/4, 3/8	
KCY-FXX035	35	70~330	120~450	25~150	1/2, 1/4, 3/8	
KCY-FXX040	40	90~330	140~450	25~150	1/2, 1/4, 3/8	
KCY-FXX048	48	90~330	140~450	25~150	1/2, 1/4, 3/8	
KCY-FXX050	50,8	90~330	140~450	25~150	1/2, 1/4, 3/8	
KCY-FXX065	65	130~330	180~450	25~150	1/2, 1/4, 3/8	

## DIMENSIONS

*Copper Receiver*



Model	Dimensions						Connection Type
	D mm	B mm	A mm	C mm	E mm	d in	
KCY-CXX025	25,4	70~330	120~450	5~15	25~150	1/2, 1/4, 3/8	Solder Connection
KCY-CXX030	30	70~330	120~450	5~15	25~150	1/2, 1/4, 3/8	
KCY-CXX031	31,75	70~330	120~450	5~15	25~150	1/2, 1/4, 3/8	
KCY-CXX035	35	90~330	140~450	5~15	25~150	1/2, 1/4, 3/8	
KCY-CXX041	41,3	90~330	140~450	5~15	25~150	1/2, 1/4, 3/8	
KCY-CXX048	48	90~330	140~450	5~15	25~150	1/2, 1/4, 3/8	
KCY-CXX050	50,8	130~330	180~450	5~15	25~150	1/2, 1/4, 3/8	
KCY-CXX057	57,2	130~330	180~450	5~15	25~150	1/2, 1/4, 3/8	